



Installation Guide

For Pro Electric Retractable Thruster Models
SRP-L&V80, SRP-L&V100



SLEIPNER AS

P.O. Box 519

N-1612 Fredrikstad

Norway

www.sleipnergroupp.com

DOCUMENT ID: 5929

REVISION: 5

DATE: 2021

LANGUAGE: EN

MI

Planning Installation Considerations and Precautions	3
Thruster Measurements	4
Thruster Specifications	5
Technical Specifications	5
Positioning of the Retract Thruster	6

Installation Instructions

Thruster Installation Considerations and Precautions	7
Marking and Trimming of SRF Flange	8
Installation Pre-check	9
Required Modifications After Pre-check	10
SRF Flange Installation	11
Motor House Installation	12
Hatch Installation	13
Motor to House Installation	14
Thruster Electrical Installation	15
Electrical Specifications	16
Control Panel Cable Installation	17
S-link Planning & Precautions	18
Technical Wiring Diagram	19 - 20
Check drive shaft alignment	21
Calibrate drive shaft alignment	21
Actuator Configuration	21
LED Indication	21
Control Panel Installation	22

Checklist for DC and IP Thrusters	23
--	-----------

Service and Support	24
----------------------------------	-----------

Product Spare Parts and Additional Resources	24
---	-----------

Warranty statement	24
---------------------------------	-----------

Products

SRLP100/185T-24V - SRLP100 Retract thruster 24V
 SRLP80/185T-24V - SRLP80 Retract thruster 24V
 SRLP100/185T-12V - SRLP100 Retract thruster 12V
 SRLP80/185T-12V - SRLP80 Retract thruster 12V
 SRVP80/185T-12V - SRVP80 Vertical Retract 12V
 SRVP80/185T-24V - SRVP80 Vertical Retract 24V
 SRVP100/185T-12V - SRVP100 Vertical Retract 12V
 SRVP100/185T-24V - SRVP100 Vertical Retract 24V

DECLARATION OF CONFORMITY

MC_0020



Sleipner Motor AS
 P.O. Box 519, Arne Svendsensgt. 6-8
 N-1612 Fredrikstad, Norway

Declare that this product with accompanying standard control systems complies with the essential health and safety requirements according to:

DIRECTIVE 2013/53/EU
 DIRECTIVE 2014/30/EU
 DIRECTIVE 2014/35/EU

It is the installers responsibility

When installing Sleipner equipment follow the outlined regulations/ classification rules (electrical/ mechanical) according to international or special national regulations. Instructions in this guide cannot be guaranteed to comply with global electric/ mechanic regulations/ classification rules.

Follow all health and safety laws in accordance with their local outlined regulations/ classification rules.

Before installation, it is important that the installer reads this guide to ensure necessary acquaintance with the product.

The recommendations made in this manual are guidelines ONLY, and Sleipner Motor AS (Sleipner) strongly recommend that before installation, advice is obtained from a naval architect familiar with the particular vessel and regulations/ classifications.

This manual is intended to support educated/ experienced staff and is therefore not sufficient in all details for professional installation. *(NB: These instructions are only general instruction. If you are not skilled to do this work, please contact professional installers for assistance.)*

All electrical work must be done by a licensed professional.

Faulty installation of Sleipner products will render all warranty given by Sleipner Motor AS void.

MC_0038

EN

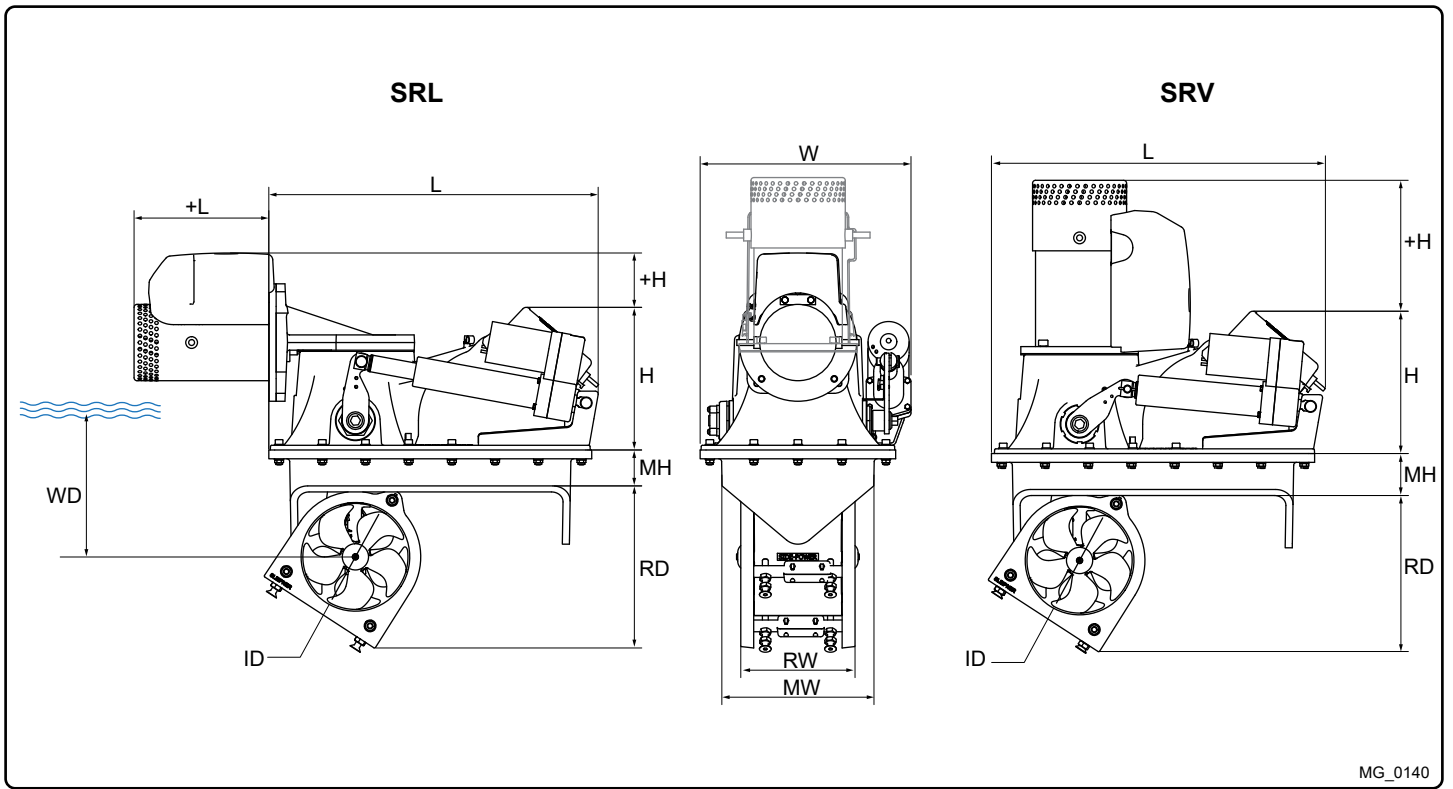
Planning Installation Considerations and Precautions

MC_0066

- If the height of the room you are installing the product is limited consider the three different configuration designs.
 - Angled
 - Horizontal
 - Vertical
- The thruster must NOT be installed in compartments that require ignition proof electric equipment. If necessary, make a separate compartment. ***(NB: If installing an IP assembly, it has been tested to be fully ignition protected so that it can be installed in areas with possible explosive gases in accordance with ISO 8846)***
- The electro motor will generate some carbon dust so any storage compartment must be separated from the thruster to prevent nearby items from becoming dusty/ dirty. ***(NB: IP version motors do not generate dust)***
- Installing the electro motor in a small compartment must be ventilated to ensure cooling of the electro motor.
- Do not install the thruster in a position where you need to cut a stiffener/ stringer/ support for the hull integrity without checking with the boat builder this can be done safely.
- The electro motor, its components, contacts/ plugs or other joints in the control cables must be mounted so they will remain dry at all times.
- We advise painting the gear house and propellers with anti-fouling. ***(NB: Do not paint the anodes, sealing or propeller shafts)***
- Do not finish the inside of the tunnel with a layer of gel-coat/ topcoat or similar. There is only room for a thin coat of primer and two layers of anti-fouling between the tunnel and the props.
- Don't install the electro motor at close range to easily flammable objects as it will reach over 100°C before the temperature switch is activated.
- Do not store items close to the thruster motor as it can reach 100°C. Any loose items near the thruster motor can cause problems with electrical wiring coming loose and short-circuiting.

IMPORTANT

Stern mounted retract thrusters must not be installed to conflict with the main boat propellers or its water trail. (NB: consult a naval architect for an exact position.)



MG_0140

EN **Thruster Measurements** **MC_0150**

Measurement code	Measurement description	SRL *80 12v		SRL *80 24v		SRL *100 12v		SRL *100 24v	
		mm	inch	mm	inch	mm	inch	mm	inch
+ L	Additional Length	230	9,04	245	9,63	287	11,29	281	11,06
L	Length	561	22,09	561	22,09	561	22,09	561	22,09
+ H	Additional Height	93	3,64	96	3,77	129	5,07	128	5,06
H	Height	243	9,56	243	9,56	243	9,56	243	9,56
MH	Mould height (Flange height)	62	2,43	62	2,43	62	2,43	62	2,43
RD	Retract depth	276	10,85	276	10,85	276	10,85	276	10,85
ID	Internal Tunnel Diameter	185	7,28	185	7,28	185	7,28	185	7,28
RW	Retract width	195	7,66	195	7,66	195	7,66	195	7,66
MW	Mould width	257	10,11	257	10,11	257	10,11	257	10,11
WD	Water depth	185	7,28	185	7,28	185	7,28	185	7,28
W	Width	359	14,12	359	14,12	359	14,12	359	14,12

Measurement code	Measurement description	SRV *80 12v		SRV *80 24v		SRV *100 12v		SRV *100 24v	
		mm	inch	mm	inch	mm	inch	mm	inch
L	Length	561	22,09	561	22,09	561	22,09	561	22,09
+ H	Additional Height	169	6,66	184	7,25	226	8,91	221	8,68
H	Height	243	9,56	243	9,56	243	9,56	243	9,56
MH	Mould height (Flange height)	62	2,43	62	2,43	62	2,43	62	2,43
RD	Retract depth	276	10,85	276	10,85	276	10,85	276	10,85
ID	Internal Tunnel Diameter	185	7,28	185	7,28	185	7,28	185	7,28
RW	Retract width	195	7,66	195	7,66	195	7,66	195	7,66
MW	Mould width	257	10,11	257	10,11	257	10,11	257	10,11
WD	Water depth	185	7,28	185	7,28	185	7,28	185	7,28
W	Width	359	14,14	359	14,14	359	14,14	359	14,14

*Valid for SE & SEP

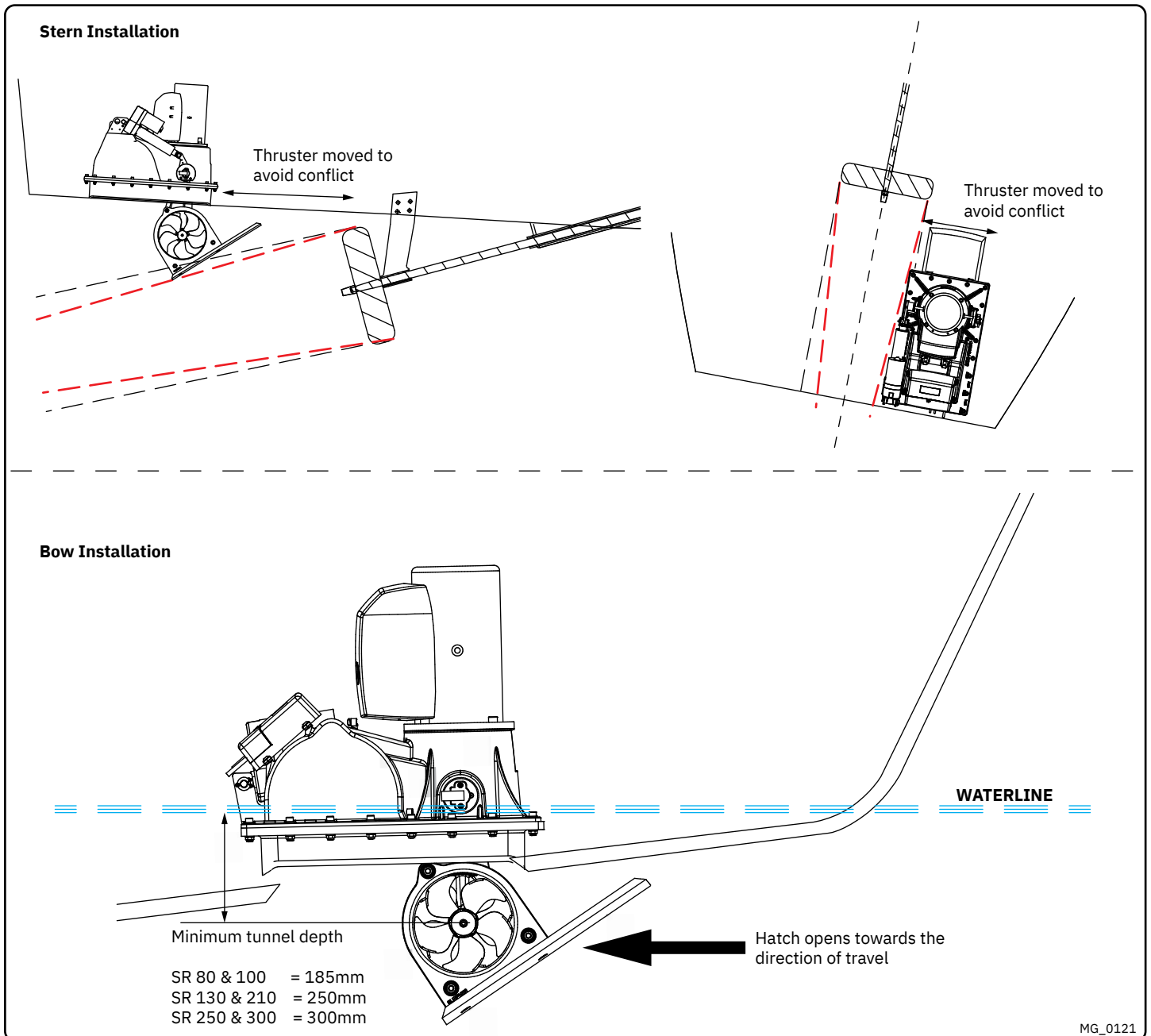
Description	* 80	* 100
Available DC System (v)	12v & 24v	12v & 24v
Thrust 12v or 24v (kg * lbs)	96 kg * 212 lbs	116 kg * 256 lbs
Thrust 10.5v or 21v (kg * lbs)	80 kg * 176 lbs	100 kg * 220 lbs
Typical Boat Size (m * ft)	10m - 15m * 35ft - 48ft	12m - 17m * 35ft - 15ft
Propulsion System	Twin	Twin
Power (kw * Hp)	4.4kw * 6hp	6.3kw * 8.4hp
Weight (kg * lbs)	31 kg * 68 lbs	44 kg * 97 lbs
Minimum Battery Capacity (CCA) 12v * 24v * 48v	550 * 300	750 * 400
Installation	Mould-in	Mould-in

*Valid for SE / SE IP & SEP / SEP IP

- Motor:** Custom made reversible DC-motor.
- Gear house:** Seawater resistant bronze. Ball-bearing at propeller shaft and a combination of ball bearing and slide bearing at drive shaft. (Pre-filled and sealed for life)
- Motor bracket:** Seawater resistant aluminium, galvanic insulated from the motor..
- Tunnel:** Cross spun with rowing G.R.P tunnel
- Propeller:** 5-blade skewback "Q-prop" propeller, fibreglass reinforced composite.
- Batteries:** Minimum recommended battery capacity (cold crank capacity by DIN/SAE standard)
Contact a battery supplier for more information.
- Max. use:** 2 - 3 min. duty cycle at 20°
- Safety features:**
- Electronic time-lapse device protects against sudden change of drive direction.
 - The electric thermal cut-off switch in electro motor protects against overheating (auto-reset when electro motor cools down).
 - Flexible coupling between electro-motor and drive shaft protects electro motor and gear system if propeller jams.
 - Original Sleipner panels shut off automatically 6 minutes after last use.
 - Original Sleipner panels use child-safe double ON buttons.
 - An integrated microprocessor monitors solenoids, reduce wear and risk of solenoid lock-in.
 - Auto-stop of the thruster occurs when an undesirable solenoid lock-in occurs or when continuous operation cut-off timer exceeds 3 minutes.

Depending on the panel type after a certain time not in use, the console will shut down and retract the thruster.

(NB: the thruster will retract automatically when turned off.)



MG_0121

EN **Positioning of the Retract thruster** **MC_0067**

The thruster must always be installed so the hatch is opened towards the direction of travel.

Bow
 The thruster must be installed as far forward as possible. Allow for 10cm around the thruster for moulding the retract frame and the depth of the retracted propeller is 185mm (SR 80/100), 250mm (SR 130/210) or 300mm (SR 250/300) under the waterline. For bow installations, the thruster must be installed in the centre line of the keel. **(NB: Installing the thruster further forward will give less depth for the propeller but offer better leverage effect for turning.)**

Stern
 Follow the same depth requirement for the retracted propeller of 185mm (SR 80/ 100), 250mm (SR 130/ 210) or 300mm (SR 250/ 300) under the waterline. The thruster while retracted must not conflict with any other component of the vessel such as stern drives/ propellers, trim tabs or rudders. Therefore stern installations do not require to be installed on the hulls keel centre line and can be installed off centre.

- Installing the thruster below the waterline as outlined is important for two reasons:
1. So that it does not suck air down from the surface which will reduce performance and increase noise levels.
 2. To get as much water pressure as possible to receive maximum efficiency from the thruster.

Always ensure enough space for the complete SR unit including motor, actuators, retract frame, future service and for installation moulding to the hull.

Before installation, it is important that the installer reads this guide to ensure necessary acquaintance with this product.

- The electro motor must be handled with care. Do not lift it by internal cable connections, main terminals or placed down on the drive shaft.
- The thruster power supply circuit must include the recommended sized fuse and a battery isolation switch.
- Never run the thruster out of water.
- It is important to follow the guidelines in this manual. Failure can result in severe damage to the thruster.

IMPORTANT

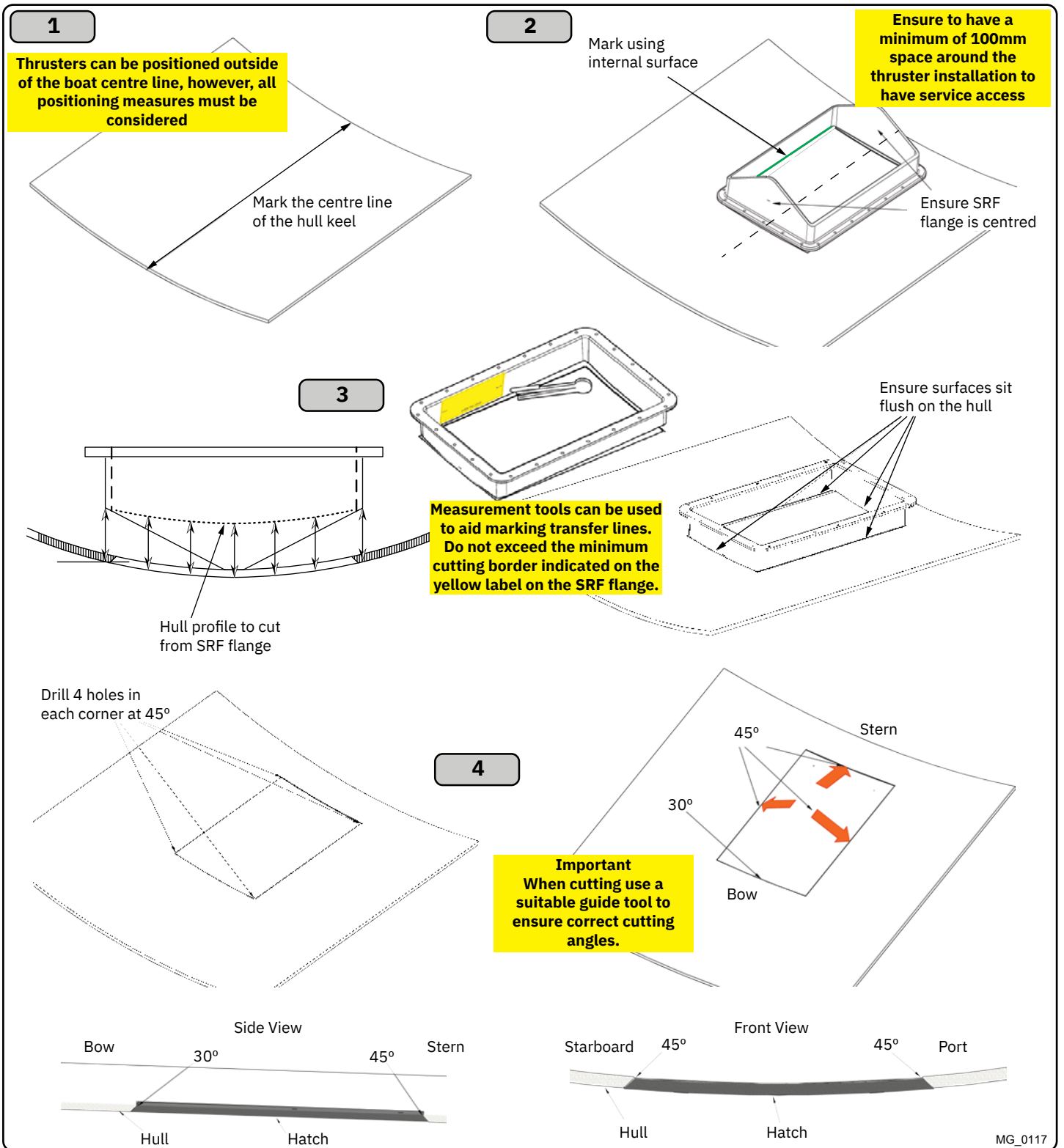
If installing S-link products DO NOT connect any other control equipment to the S-link controlled products except Sleipner original S-link products or via a Sleipner supplied interface product made for interfacing with other controls. Any attempt to directly control or at all connect into the S-link control system without the designated and approved interface will render all warranties and responsibilities for the complete line of Sleipner products connected void and null. If you are interfacing by agreement with Sleipner and through a designated SLEIPNER supplied interface, you are still required to also install at least one original Sleipner control panel to enable efficient troubleshooting if necessary.

MC_0265

NEVER

Disassemble any part of the Ignition Protected stern thruster assembly. Tampering with the Ignition Protected stern thruster assembly or any attempt to disassemble anything on this thruster assembly inside the boat can cause an explosion with severe consequences. If there is a problem with your Ignition Protected stern thruster, please contact your dealer.

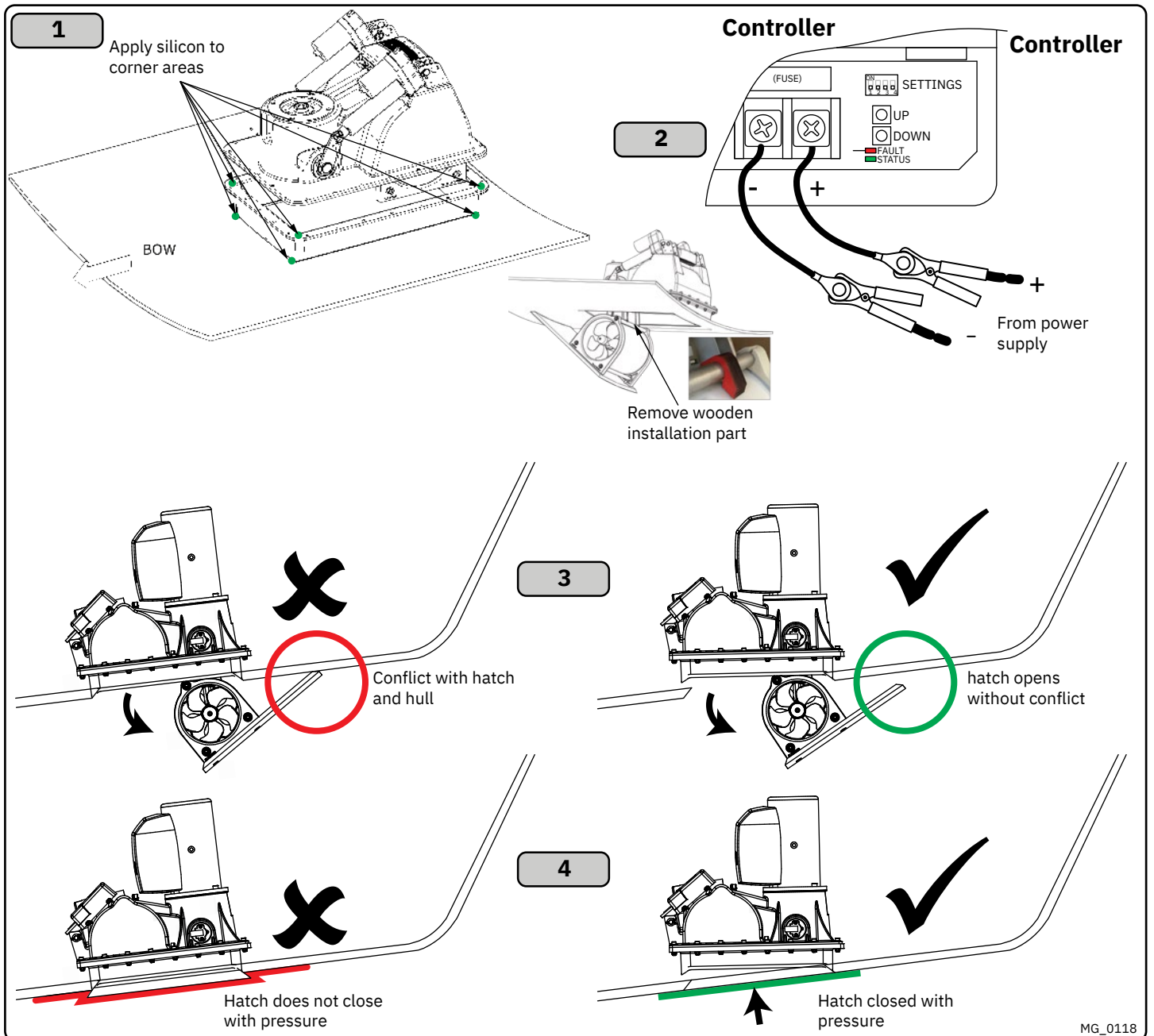
MC_0267



EN **Marking and Trimming of SRF Flange** MC_0068

! Please refer to the graphic for special considerations relating to your model !

1. Identify the location of the thruster considering space required for installation, operation and future maintenance.
2. Mark the keel centre line on the inside of the hull. Flip the SRF flange upside down and use the internal surface to mark the hull for cutting the thruster hatch. **(NB: Ensure the mould is centred.)**
3. The SRF flange must sit so the two side rails run flush with the length of the hull. To do so the SRF flange tabs must be trimmed down to match the hull profile curvature. **(NB: Consult a naval architect for methods to transfer the hull profile to the SRF flange. DO NOT cut the SRF flange length edge.)**
4. Cut the hatch door. The hatch opening must be cut at an angle of 45° on three sides and 30° on the bow face. This allows any water forces hitting the hatch while closed to be absorbed by the hull, not the thruster. **(NB: Use a suitable cutting tool able to be set to the desired angle. If cutting from outside the hull drill 4 holes from the internal marked corners to see the required profile from the outside.)**



EN **Installation Pre-check** MC_0068

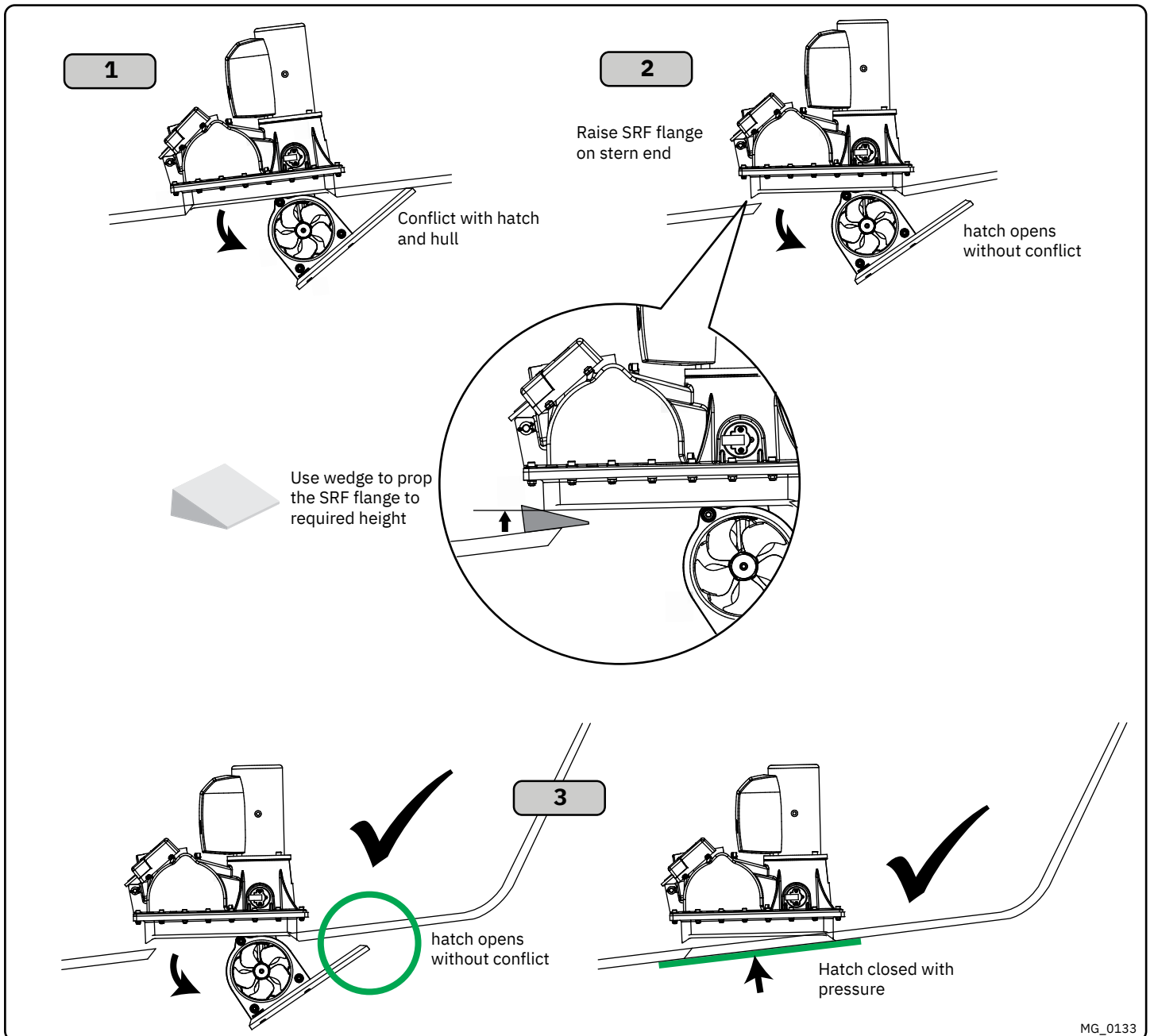
! Please refer to the graphic for special considerations relating to your model !

Temporarily set up the complete installation to ensure no conflicts during the final operation of the thruster.

1. Use silicon in the 4 corners of the SRF flange and set it over the hatch. Attach the motor unit to the SRF flange with 4 corner screws to hold securely in place. use silicon to attach the hatch to the propeller unit. **(NB: Ensure correct orientation for the thruster to open the hatch facing the direction of water flow. Remember attachment is for temporary checking of thruster operation only.)**
2. Temporarily connect 12 or 24 DC cables (refer to the label on actuators for correct voltage) to the 6 mm cables on the terminals on the controller. Set switch no. 4 on the DIP-switch marked "SETTINGS" to ON. Remove the wooden safety part located above the propeller.
3. Press "DOWN" to extend the retract mechanism and check the hatch opens fully without touching the hull. If the hatch is obstructed by the hull, lift the aft end of the SRF flange maintaining the reference height in front - until the hatch clears the hull when opened.
4. Press "UP" to retract the propeller mechanism. Ensure when the hatch is closed extra pressure is on the contact surface between the hatch and the hull only. If the hatch is not closing with pressure on the contact surfaces the entire SRF flange must be raised.

After all, pre-checks are completed the SR system can be installed.

IMPORTANT
The hatch contact edges and the hull contact edges MUST work as the mechanical end stop. During cruising, slamming forces from the water must be absorbed by these areas, not the thruster.



EN

Required Modifications After Pre-check

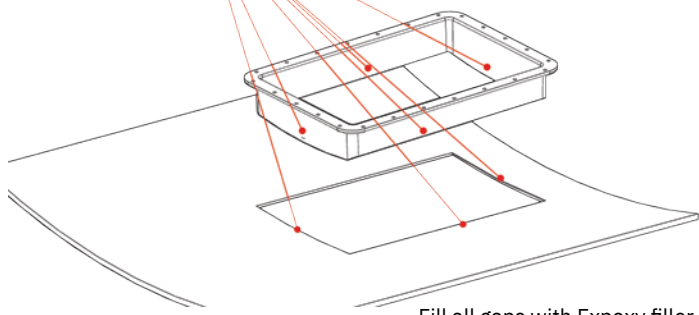
MC_0068

! Please refer to the graphic for special considerations relating to your model !

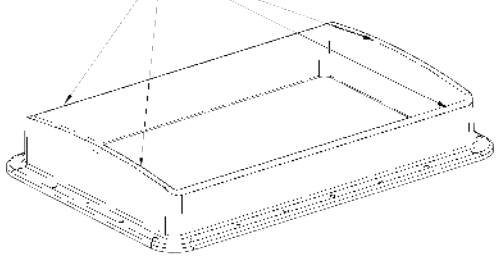
To increase the space between the hatch and the hull the entire SRF flange and motor must be raised at the stern end.

1. With the hatch in the open position raise the stern end of the SRF flange and motor until the appropriate clearance is achieved. **(NB: continue to raise the stern height until this is obtained.)**
2. Use a wedge to keep the thruster SRF flange and motor stable.
3. Open and close the hatch multiple times to ensure:
 - Clearance from the hull and hatch while open
 - Hatch closes flush with the hull and extra force is still transferred to the hull and hatch surface contact edges.
4. Record the height and kept the wedges in place for future moulding of the SRF flange.

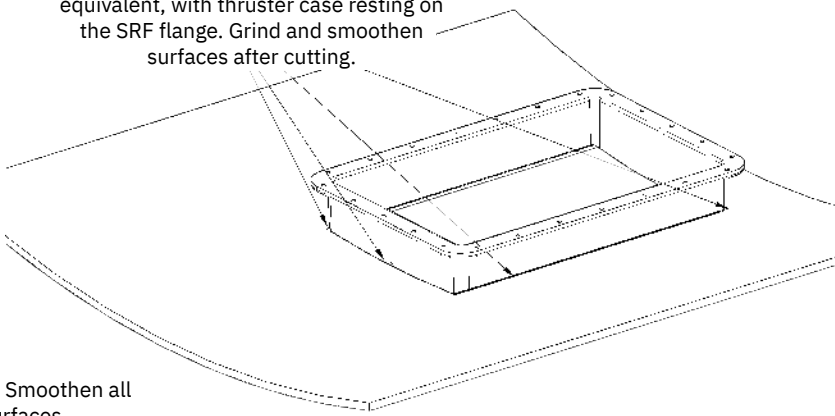
Inside and outside moulding surfaces must be ground to remove coating/ material to achieve correct adhesion preparations for moulding.



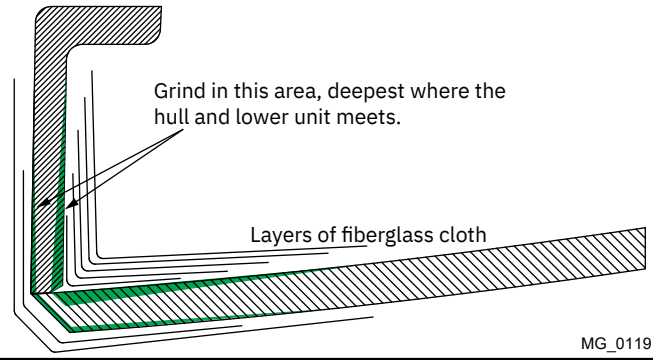
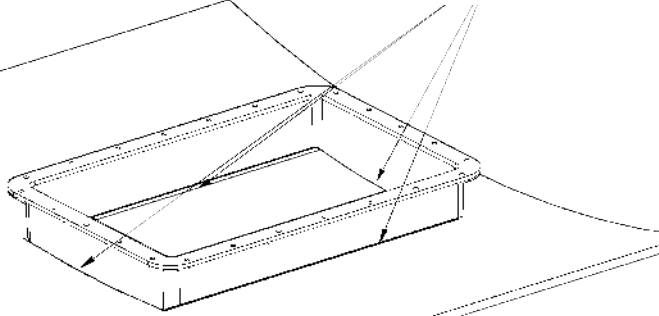
Apply Epoxy filler or equivalent for bonding between hull and SRF flange



Fill all gaps with Epoxy filler or equivalent, with thruster case resting on the SRF flange. Grind and smoothen surfaces after cutting.



After curing time - Smoothen all moulded surfaces.



MG_0119

EN

SRF Flange Installation

MC_0068

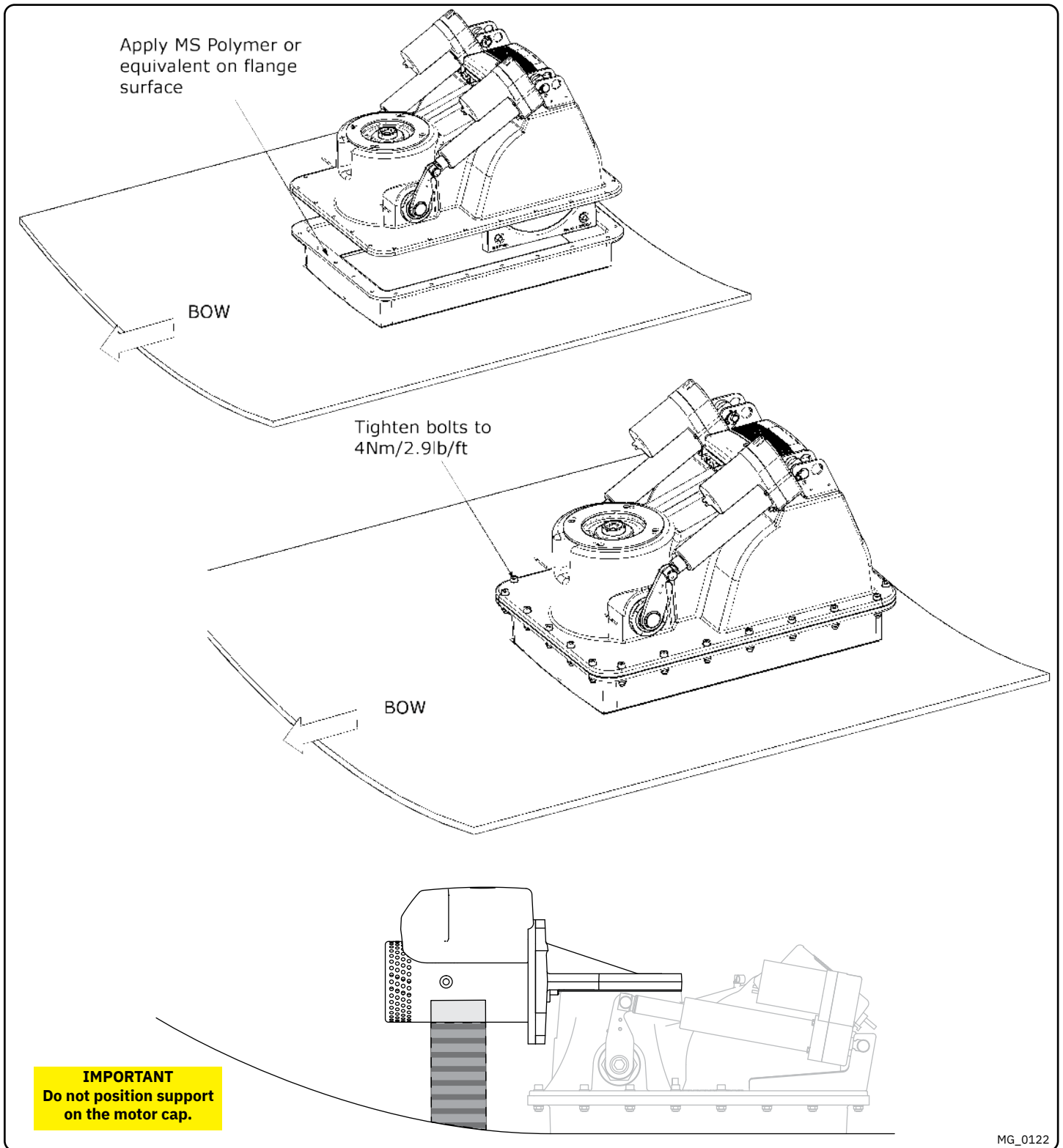
! Please refer to the graphic for special considerations relating to your model !

1. Surfaces to be moulded/ bonded must be ground to remove coating and material for correct adhesion preparations to moulding in the SRF flange to hull.
2. Apply Epoxy filler or equivalent on bottom edges of SRF flange or on the hull for bonding between connection surfaces. Ensure the filler is compatible with hull materials.
3. Place the SRF flange into position ensuring the correct orientation. Fill gaps between SRF and hull with Epoxy filler or equivalent. Grind and smooth the surfaces after curing time.
4. Apply layers of fibre glass and ensure that resin is compatible with hull materials.
5. After curing time, smooth all moulded surfaces and apply coating. Apply putty before coating if necessary.

After moulding in SRF flange is completed, the upper thruster case is ready to be installed.

General Moulding process

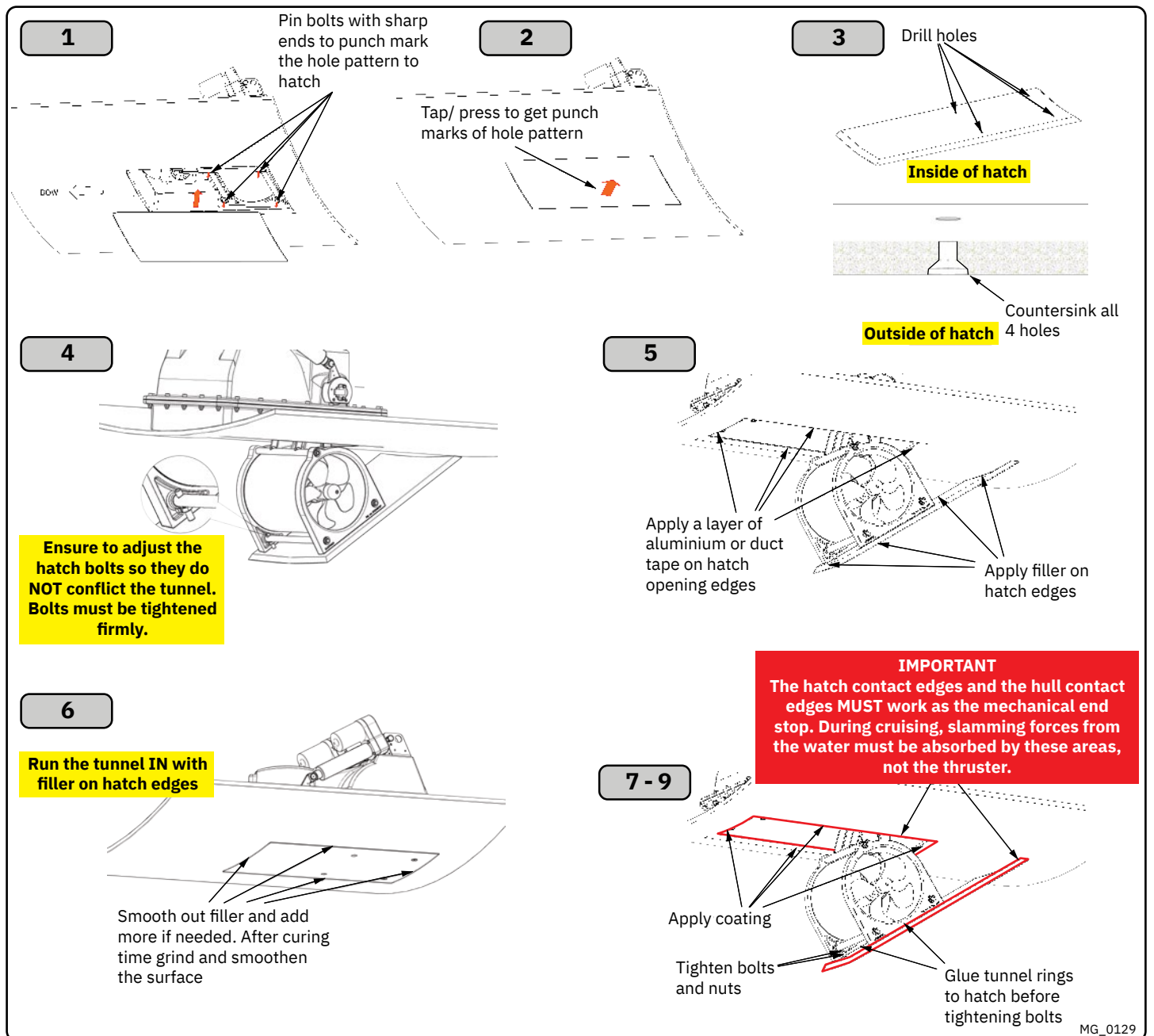
Start the laminating with a strong attachment point in each corner between the hull and the outside of the lower unit. Use epoxy and fibreglass cutting or similar, which laminating material is the actual boat builders responsibility. Cover the upper part if grinding is necessary. After moulding material have cured, run the retract mechanism down, disassemble the hatch and remove the upper part from the unit. Laminate the inside and outside of the lower unit part solid to the hull. Use appropriate fibreglass cloth (which laminating material is the actual boat builders responsibility). Before grinding of hull and unit lower part, precautions must be taken against grinding dust inside the boat. Grind deepest where the hull and lower unit part meets.



EN **Motor House Installation** MC_0068

! Please refer to the graphic for special considerations relating to your model !

1. Apply MS Polymer or equivalent on SRF flange top surface to seal and avoid water leakage. **(NB: Ensure that glue is compatible with SRF and thruster case materials.)**
2. Place the upper thruster Housing down on the SRF flange.
3. Insert and fasten bolts. Start with the 4 corner bolts followed by the remaining to required torque.



EN

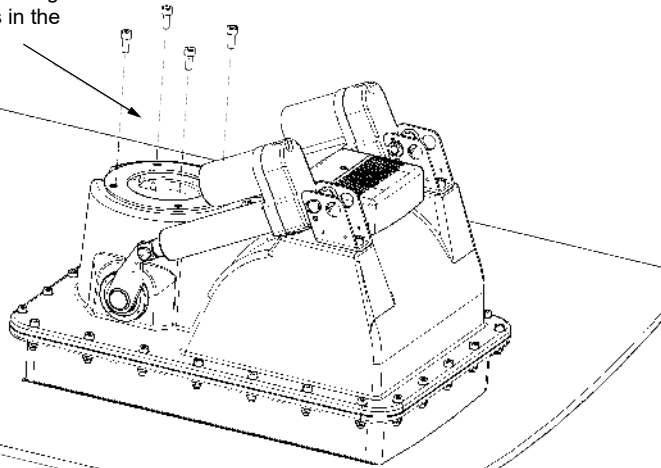
Hatch Installation

MC_0068

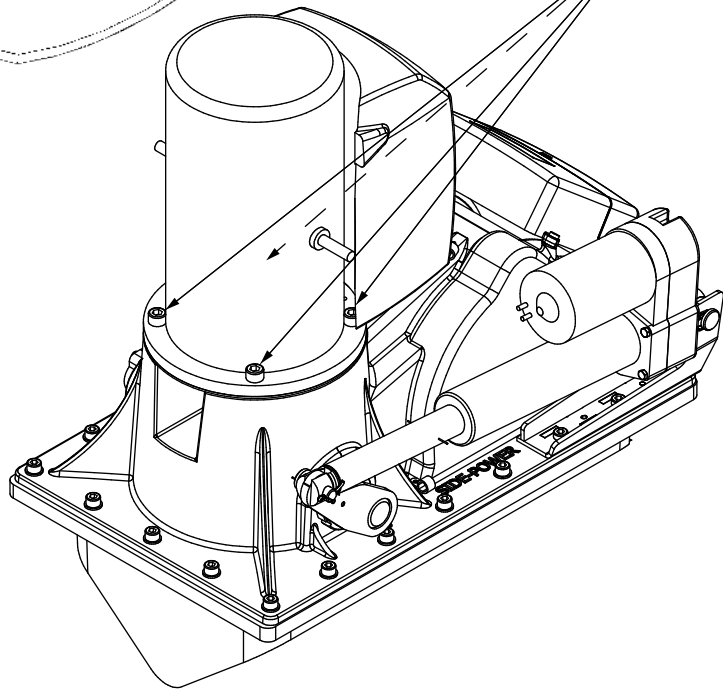
! Please refer to the graphic for special considerations relating to your model !

1. Fit custom made pin bolts to the tunnel rings. The ends of the bolts must be sharp to create marks in the hatch. The pin bolts must be in correct height so the hatch will fit in its inner position.
2. Place hatch in its inner position, then press or tap with a hammer to create punch marks inside of the hatch.
3. Drill 4 marked holes and countersink the outer hull side. **(NB: drill holes 90 to the hatch surface.)**
4. Temporary fit the hatch to the tunnel rings. Ensure the bolts do NOT conflict with the propeller tunnel. **(NB: Bolts can be cut, depending on hull thickness.)**
5. Fill the gap between hatch and hull edges.
6. Apply a layer of aluminium or duct tape on hatch opening edges on the hull. Apply Epoxy filler or equivalent to hatch edges to create a perfect seal.
7. Operate the thruster to "IN" position. Smooth out the filler and add more if needed. After curing time, grind and smooth the surface.
8. Unscrew and remove hatch to smooth off excessive material before coating the hatch.
9. Apply filler on to tunnel rings contact surface, so the hatch will be secured properly. Now re-install hatch in its correct position. Tighten bolts so hatch will fit properly.
10. Apply coating inside and outside of hatch opening on hull.

Install the relevant motor and other electronics according to electrical instructions in the manual



Bolt tightening force (4x)
33 Nm (24 lb/ft)



MG_0107

EN

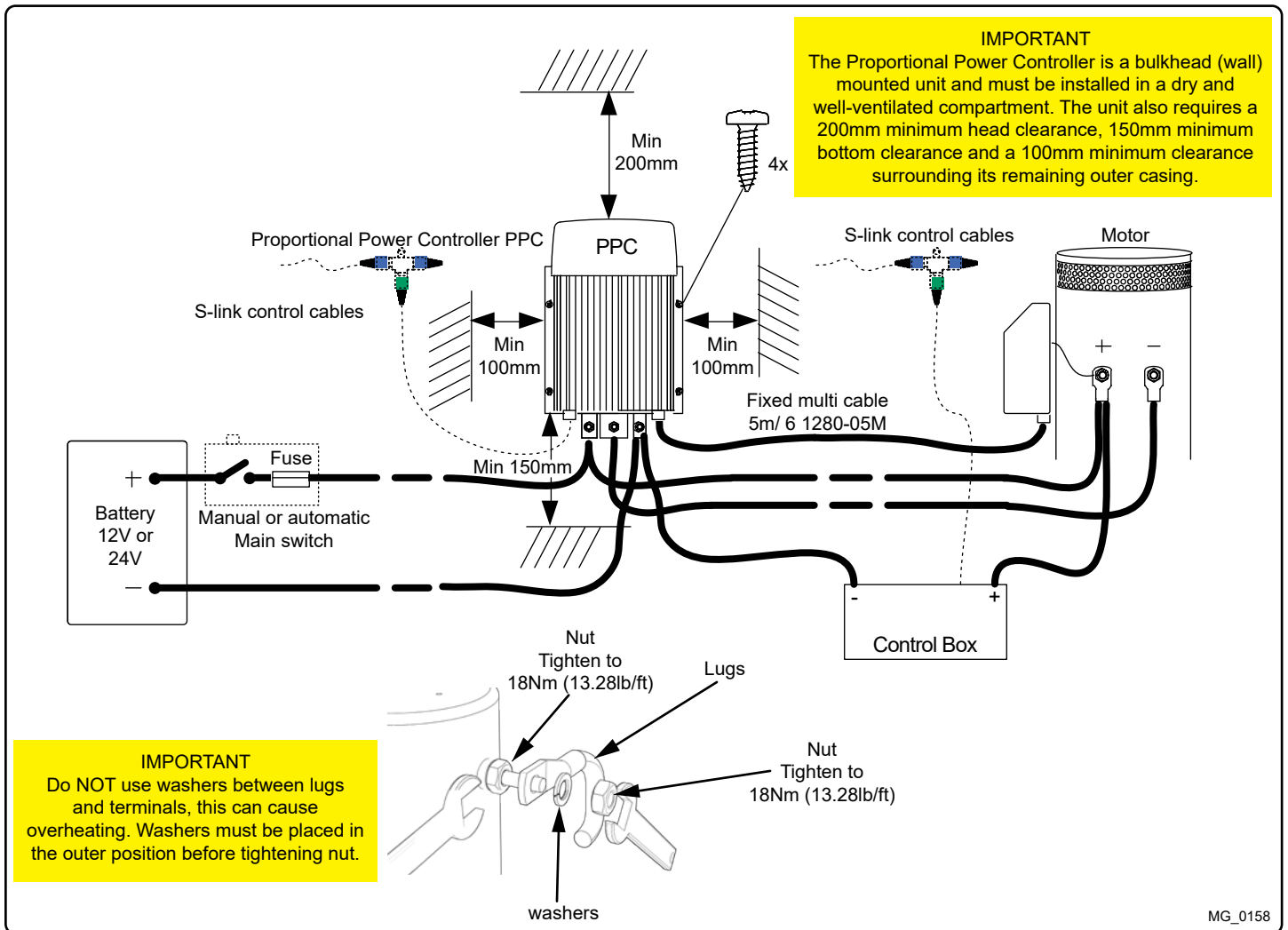
Motor to House Installation

MC_0068

! Please refer to the graphic for special considerations relating to your model !

1. Install the motor onto the motor bracket ensuring both the couplings and the drive shafts have locked together. The motor must be installed with the solenoid facing the control box. **(NB: depending on your coupling you may need to wiggle the motor into place. Ensure the connection couplings are engaging correctly. Ensure the motor cable terminals are accessible for electrical installation later.)**
2. Fasten the bolts holding the motor to the motor bracket with the above torque.
3. Check the drive shafts engage by rotating the propeller. It is required the propeller can rotate via hand power. **(NB: Rotating the propellers can be hard because of the gear reduction and the motor.)**
4. Apply the gear leg and propeller with anti-fouling designed for propellers. Do not apply to the propeller drive shaft, the anodes or the end of the gear leg facing the propellers.

(NB: The motor must be covered to avoid dust from fabrication/ maintenance operation entering the motor or the solenoids. After fabrication maintenance operations have ceased the cover must be removed before operating the thruster.)



EN Thruster Electrical Installation MC_0035

! Please refer to the graphic for special considerations relating to your model !

1. Information of electrical table. *see next page*
 - All power cable lengths represent the total length of the combined (+) and (-) cables.
 - Battery capacity is stated as minimum cold crank capacity, (CCA).
 - Use slow blow rated fuses to hold stated Amp-Draw for min. 5 minutes.
 - Consider the AMP hours (Ah) for your specific duty cycle.
2. Use appropriate sized cables and batteries with high cranking capacity to feed the thruster. The actual voltage at the motor while running the thruster decides the motors output RPM and thrust. Use larger cables and stronger batteries for better results.
 - See electrical specifications for advised minimum cables and batteries (CCA).
3. Connect the battery supply to the control unit (PPC).
 - Install a main manual/ automatic switch from the positive lead terminal on the battery PPC unit). The main switch must be accessible to turn off the thruster independently from the rest of the electrical operation of the vessel when not on-board or in emergencies. **(NB: It is advised to install a fuse on the positive cable for protection against short-circuiting of the main cables. The fuse should ensure no voltage decrease, slow-blow and sized to take the amperage draw for at least 5 minutes.)**
 - A circuit breaker can be used instead of the fuse and main power switch If the functionality is the same.

(NB: For Ignition Protected installations remember to use ignition protected fuses and switches if fitted in areas that require this feature. Ensure to follow your national regulations)

5. Cable lugs must have adequate electrical and mechanical isolation and fitted with cable lug covers.
6. Fasten cables to the required torque.

WARNING
Check the following with the main switch is set to off :
After all electrical connections have been completed check with an ohm meter that there is no electrical connection between
1. electro-motor flange and the positive terminal on the motor
2. electro-motor flange and the battery negative terminal on the motor
If unsure contact skilled personnel.

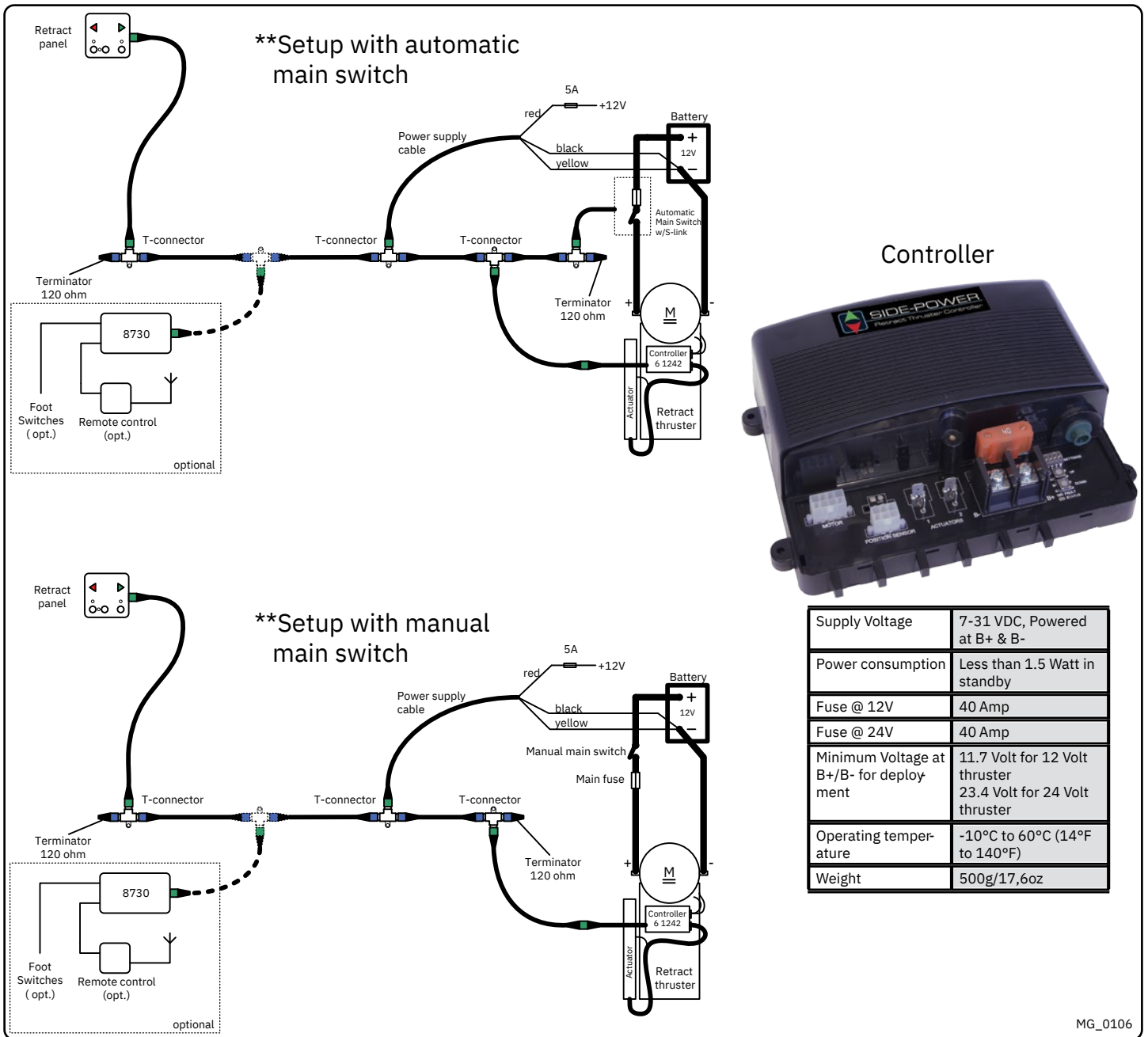


Electrical Specifications

MC_004

*Valid for DC motors

Model Size	System Voltage	Nominal current draw	Min. battery CCA	Rec. fuse	<7m total + & -		7-14m total + & -		15-21m total + & -		22-28m total + & -		28-35m total + & -		36-45m total + & -	
					Min.	Rec.	Min.	Rec.	Min.	Rec.	Min.	Rec.	Min.	Rec.	Min.	Rec.
*20/110S	12 V	150 A	DIN: 200 SAE: 380 EN: 330	ANL 150	25	35	35	50	50	70	70	95	95	95	120	2 x 70
					3	2	2	1/0	1/0	2/0	2/0	3/0	3/0	2 x 4/0	2 x 2/0	
*25/110S	12 V	200 A	DIN: 200 SAE: 380 EN: 330	ANL 150	25	35	50	50	70	70	95	95	120	120	2 x 70	2 x 70
					3	2	1/0	1/0	2/0	2/0	3/0	3/0	4/0	2 x 2/0	2 x 2/0	
*30/125S *30/140	12 V	245 A	DIN: 200 SAE: 380 EN: 330	ANL 150	35	50	50	70	70	95	95	120	120	2 x 70	2 x 70	2 x 95
					2	1/0	1/0	2/0	2/0	3/0	3/0	4/0	2 x 2/0	2 x 2/0	2 x 3/0	
*40/125S *40/140	12 V	315 A	DIN: 300 SAE: 570 EN: 520	ANL 250	35	50	70	95	95	120	120	2 x 70	2 x 70	2 x 95	2 x 120	2 x 120
					2	1/0	2/0	3/0	3/0	4/0	4/0	2 x 3/0	2 x 3/0	2 x 4/0	2 x 4/0	
*50/140S	12 V	370 A	DIN: 350 SAE: 665 EN: 600	ANL 325	50	70	70	95	120	2 x 70	2 x 70	2 x 95	2 x 95	2 x 120	2 x 120	2 x 120
					1/0	1/0	2/0	3/0	4/0	2 x 2/0	2 x 2/0	2 x 3/0	2 x 3/0	2 x 4/0	2 x 4/0	
*60/185S *60/140	24 V	170 A	DIN: 175 SAE: 332 EN: 280	ANL 150	25	25	25	35	35	50	50	70	70	70	70	70
					3	3	3	2	2	1/0	1/0	2/0	2/0	2/0	2/0	2/0
*60/185S *60/140	12 V	370 A	DIN: 350 SAE: 665 EN: 600	ANL 325	50	70	70	95	120	2 x 70	2 x 70	2 x 95	2 x 95	2 x 120	2 x 120	2 x 120
					1/0	1/0	2/0	3/0	4/0	2 x 2/0	2 x 2/0	2 x 3/0	2 x 3/0	2 x 4/0	2 x 4/0	
*80/185T	24 V	280 A	DIN: 300 SAE: 570 EN: 520	ANL 250	35	35	35	50	50	70	70	95	95	120	120	2 x 95
					2	2	2	1/0	1/0	2/0	2/0	3/0	3/0	4/0	4/0	2 x 3/0
*100/185T	12 V	740 A	DIN: 750 SAE: 1425 EN: 1320	ANL 500	95	95	2 x 70	2 x 95	2 x 95	2 x 120	2 x 120	2 x 120	2 x 120	2 x 120	2 x 120	2 x 120
					3/0	3/0	2 x 2/0	2 x 3/0	2 x 3/0	2 x 4/0	2 x 4/0	2 x 4/0	2 x 4/0	2 x 4/0	2 x 4/0	
*120/215T	24 V	420 A	DIN: 450 SAE: 855 EN: 760	ANL 325	70	70	70	70	70	70	95	95	120	120	2 x 70	2 x 95
					2/0	2/0	2/0	2/0	2/0	2/0	3/0	3/0	4/0	4/0	2 x 2/0	2 x 3/0
*130/250T	12 V	800 A	DIN: 750 SAE: 1425 EN: 1320	ANL 500	95	95	2 x 70	2 x 95	2 x 95	2 x 120	2 x 120	2 x 120	2 x 120	2 x 120	2 x 120	2 x 120
					3/0	3/0	2 x 2/0	2 x 3/0	2 x 3/0	2 x 4/0	2 x 4/0	2 x 4/0	2 x 4/0	2 x 4/0	2 x 4/0	
*150/215T	24 V	610 A	DIN: 560 SAE: 1064 EN: 940	ANL 500	70	70	70	95	95	120	120	2 x 70	2 x 95	2 x 95	2 x 120	2 x 120
					2/0	2/0	2/0	3/0	3/0	4/0	4/0	2 x 2/0	2 x 3/0	2 x 3/0	2 x 4/0	2 x 4/0
*170/250	24 V	550 A	DIN: 560 SAE: 1064 EN: 940	ANL 400	70	70	70	95	95	120	120	2 x 70	2 x 95	2 x 95	2 x 120	2 x 120
					2/0	2/0	2/0	3/0	3/0	4/0	4/0	2 x 2/0	2 x 3/0	2 x 3/0	2 x 4/0	2 x 4/0
*210/250	24 V	500 A	DIN: 560 SAE: 1330 EN: 940	ANL 400-500	70	70	70	95	95	120	120	2 x 70	2 x 95	2 x 95	2 x 120	2 x 120
					2/0	2/0	2/0	3/0	3/0	4/0	4/0	2 x 2/0	2 x 3/0	2 x 3/0	2 x 4/0	2 x 4/0
*250/300	24 V	610-670 A	DIN: 700 SAE: 1330 EN: 1170	ANL 500	70	70	95	120	120	2 x 95	2 x 95	2 x 95	2 x 95	2 x 120	2 x 120	2 x 120
					2/0	2/0	3/0	4/0	4/0	2 x 3/0	2 x 3/0	2 x 3/0	2 x 3/0	2 x 4/0	2 x 4/0	
*300/300	24*2 48V	400-450A (48V)	DIN: 400 SAE: 760 EN: 680	ANL 325	50	70	70	95	95	120	120	2 x 95	2 x 95	2 x 120	2 x 120	2 x 120
					1/0	2/0	2/0	3/0	3/0	4/0	4/0	2 x 3/0	2 x 3/0	2 x 4/0	2 x 4/0	



Controller



Supply Voltage	7-31 VDC, Powered at B+ & B-
Power consumption	Less than 1.5 Watt in standby
Fuse @ 12V	40 Amp
Fuse @ 24V	40 Amp
Minimum Voltage at B+/B- for deployment	11.7 Volt for 12 Volt thruster 23.4 Volt for 24 Volt thruster
Operating temperature	-10°C to 60°C (14°F to 140°F)
Weight	500g/17,6oz

EN Control Panel Cable Installation MC_0041

! Please refer to the graphic for special considerations relating to your model !

- All Sleipner control panels can be used in any combination.
- All control panels can be installed using:
 - Y-connectors - for standard on/off
 - T-connectors - for S-link proportional power system.

(NB: If two or more control panels are operated at the same time in opposite directions, the electronic control box will stop the thruster until it receives a single signal or thrust in one direction.)

- Sleipner on/off equipment it is entirely “plug & play” and require no additional configuration setup.

See the Control panel manual for more information.

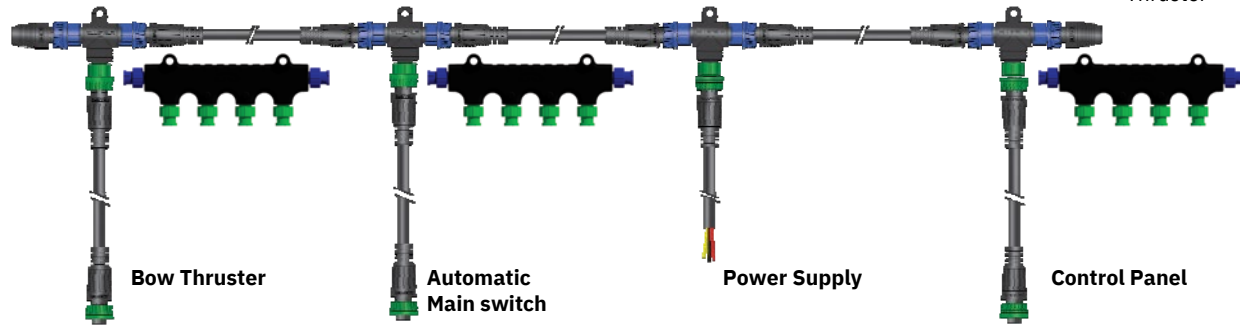
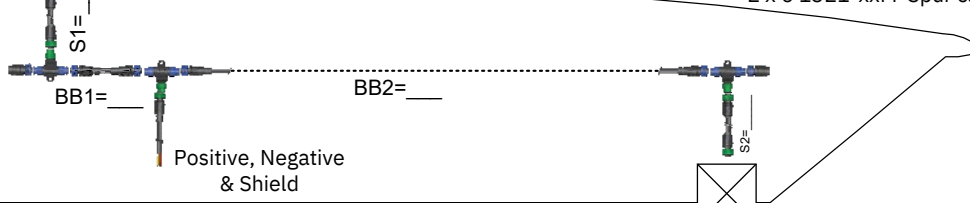
Example of the control wiring with S-link system for boats with one control position and one thruster.

Control Panel



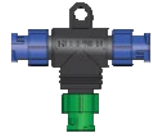
You need:

- 2 x 6 1327 End terminators
- 3 x 6 1326 T-connectors
- 1 x 6 1328 Power spur
- 2 x 6 1320-xxM Backbone cables
- 2 x 6 1321-xxM Spur cables



BACKBONE Cable

Forms the main "loop" around the boat.



T- Connector

Must be one for each spur, including power cable



SPUR Cable

Must be used to connect all parts to the backbone cable (One for each component, no exceptions). Recommended to be as short as practically possible.



BACKBONE extender

Connects two BACKBONE cables to extend length.



POWER Cable

Must be one in each system, length 2.5m



END terminator

Must be one for each end of the BACKBONE "loop".



4-Port T Connector

The 4-port T-connector allows multiple spur cables to be connected. *(NB: Comes with two sealing caps to protect.)*

MG_0159

EN

S-link Planning & Precautions

MC_0120

S-link is a "CAN" based control system with full intelligent communication between all units in the system.

Main advantages include:

- Round, compact and waterproof plugs with unique keying and colour coding to avoid faulty hookup.
- An unlimited number of commands or information transfer on a single cable.
- Proprietary Slepner commands but built 100% on NMEA 2000 standard.

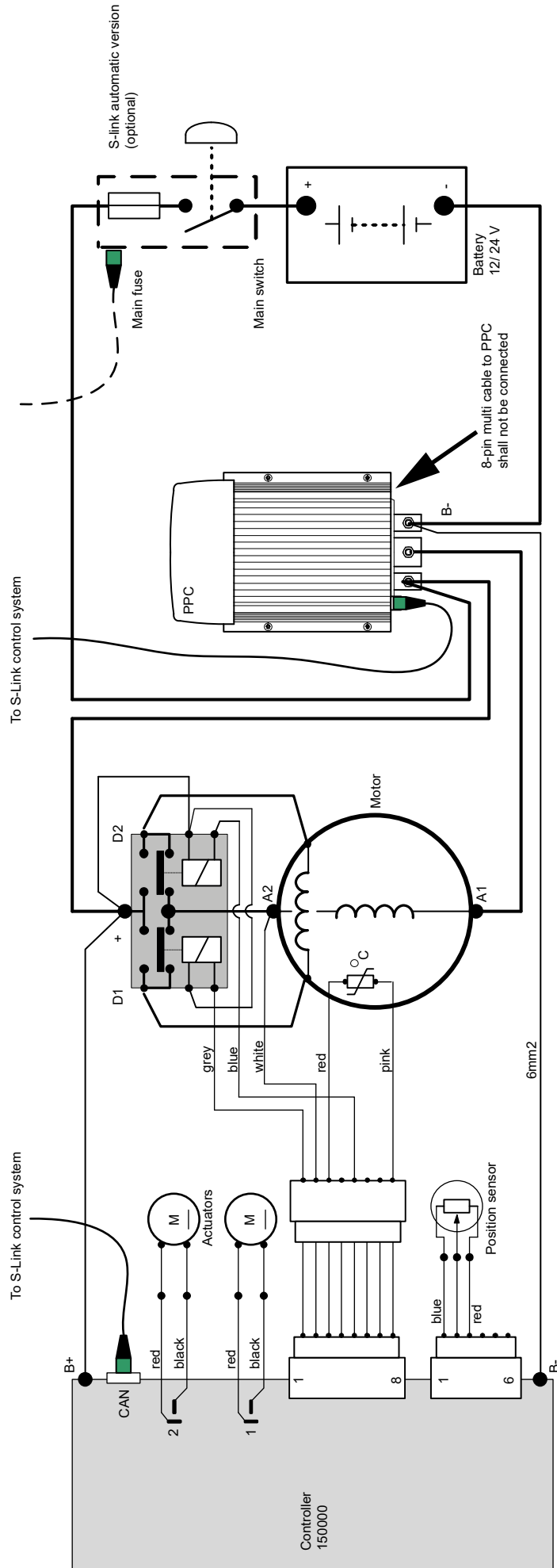
Routing the Backbone:

Keep routing backbone spur cables to a minimum. Avoid routing the S-link cables close to equipment that might cause interference to the S-link signals such as radio transmitter equipment, antennas or high voltage cables. The backbone MUST be terminated at each end with the 6 1327 End Terminator.

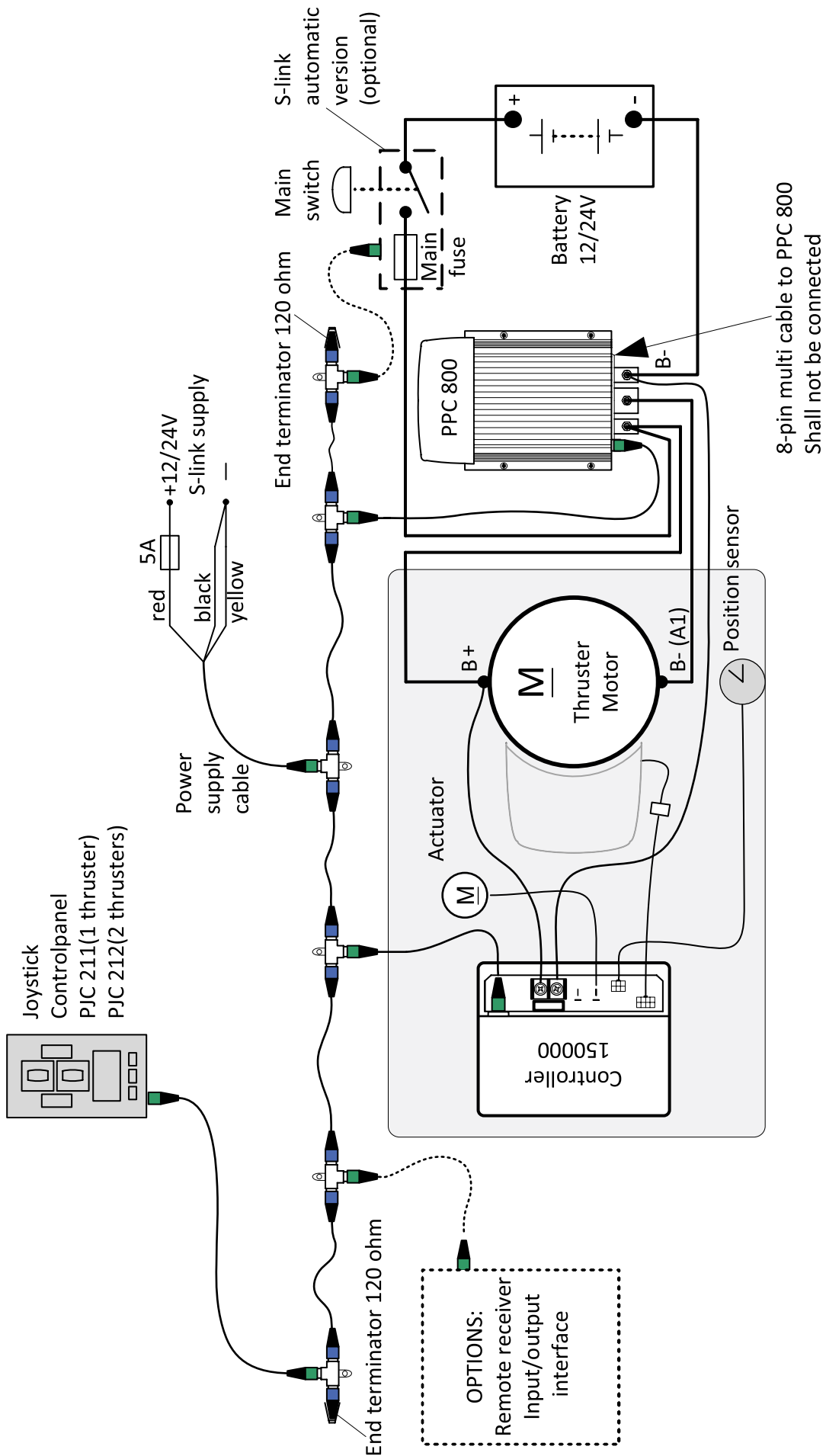
Spur cables:

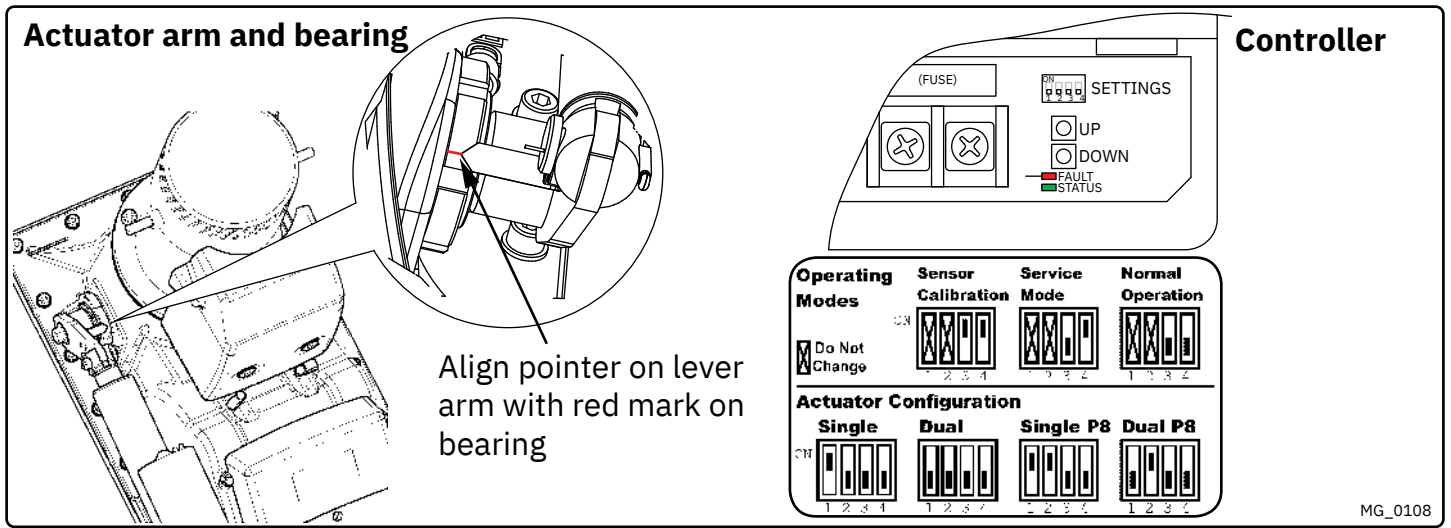
Spur cables can be left not terminated *(NB: Routing can be prepared for future additional equipment)*. Make sure to protect open connectors from water and moisture to avoid corrosion in the connectors.

Technical Wiring Diagram



Technical Wiring Diagram





EN **Check drive shaft alignment** MC_0069

IMPORTANT
Before the thruster motor is operated, check the drive shaft alignment is completely straight when it reaches the end position form the control panel operation:

- 1) Connect power to thruster and S-link system.
- 2) Set DIP-switch on the controller to 0000.
- 3) Turn on the panel. (The drive shaft deploys.)
- 4) The actuator lever arm and the bearing are set to alignment marking
- 5) If marks align, turn panel off. Drive shaft retracts.
- 6) If the marks do not align, proceed to calibrate drive shaft.

EN **Calibrate drive shaft alignment** MC_0069

(NB: The drive shaft is correctly aligned when manufactured)

- 1) With dip-switches select 'Service Mode'.
- 2) Align the arrow on the actuator arm with the calibration mark, using the UP/DOWN buttons.
- 3) With dip-switches select 'Sensor Calibration Mode'.
- 4) Press and hold both UP and DOWN buttons until STATUS LED light up green.

(NB: If FAULT LED light-up red, then the calibration is out of position (wrong align mark).

- 5) With dip-switches select 'Operation Mode', thruster retracts.

EN **Actuator Configuration** MC_0069

Dip-switch number 1 & 2 configures the actuator(s).

No.1 set to OFF when the retract has two actuators.

No.1 set to ON when the retract only has one actuator.

No.2 set to OFF when the retract does not have P8 type actuator(s).

No.2 set to ON when the retract has the P8 type actuator(s).

If dip-switch no.2 is set to ON and the actuator gives a rattling noise when the door closes, then there probably is not P8 actuator(s) and dip-switch no.2 needs to be set to OFF.

The actuator is a P8 type:

- If the actuator has a plastic cap at the back where you can adjust the actuator manually.
- If it is marked with a sticker with P8
- If the manufacturer label says P8

EN **LED Indication** MC_0069

Continuous red light:

Motor over-temp, Controller over-temp, Controller no communication, Motor relay failure, Low battery voltage, Position sensor failure, No power to actuators, Retractable unit failure, Temp sensor open circuit.

Flashing red light:

Red light fast blinking: Dip-switch in an invalid position.

Red light short flash every 2 seconds: Shaft not calibrated, or shaft calibrated out of range.

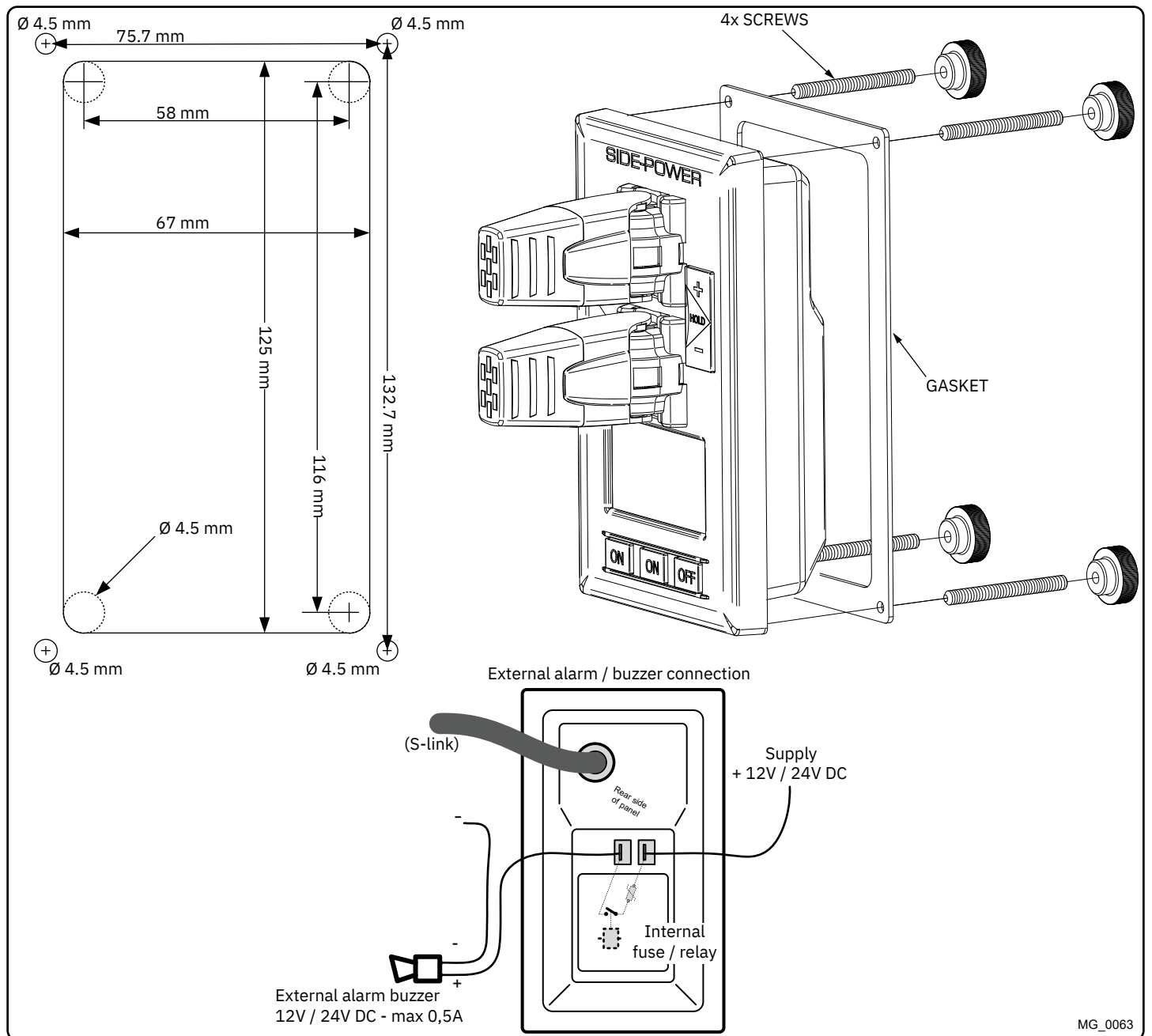
Continuous green light:

Normal mode, Service mode (actuators operated by UP/DOWN buttons).

Re-calibrated "down"-position.

Flashing green light:

No S-Link communication.



EN

Control Panel Installation

MC_0042

! Please refer to the graphic for special considerations relating to your model !

Find a suitable location for the control panel where it does not obstruct or is obstructed by other devices. Install the control panel on a flat surface where it is easy to use.

1. Use the supplied cut-out template to mark the area to remove on your control dash.
2. Cut out the area per template for the control panel. **(NB: If the front surface around your cut out is jagged or chipped, use a sealant to assist the gasket.)**
3. Place the gasket to the back face of the panel
4. Plug cables into the connectors at the rear of the control panel.
5. Insert the control panel in place and fasten screws.
6. Insert the control panels covering caps.

- The bolts holding the gear house and motor bracket together are tightened correctly.
- The bolts holding the motor to its bracket are tightened correctly.
- All electrical connections are clean, dry and tight, and the correct cable, fuse and main switch size.
- Check that there is no electrical connection between the electro motor body and positive terminal on the motor, and between the electro motor body and the negative (A1) terminal on the motor with an ohm meter.
- Anti-fouling has been applied to the gear house and propeller but NOT anodes, sealing/ rubber fittings or propeller shafts.
- Propeller is fastened correctly to the shaft.
- Propeller turns freely in tunnel.
- The anode and/ or holding screw is tightened well with thread glue.
- Check the boat for potential water leakage around installation areas.
- Correct drive direction as per control panel.
- User Manual is supplied to the owner.

The thruster has been installed as per the instructions in this manual and all points in checklist above have been controlled.

Signed:

Date:

Thruster type:

Serial number:.....

Date of delivery:.....

Correct drive direction as per control panel:

The compartment for the thruster has been isolated from general bilge water and has no obvious or suspected risks for flooding:

.....
.....
.....

Other comments by installer:

.....
.....

Find your local professional dealer from our certified worldwide network for expert service and support.

visit our website www.sleipnergrouper.com/support

For additional supporting documentation, we advise you to visit our website www.sleipnergrouper.com and find your Sleipner product.

1. Sleipner Motor AS (The "Warrantor") warrants that the equipment (parts, materials and embedded software of products) manufactured by the Warrantor is free from defects in workmanship and materials for the purpose for which the equipment is intended and under normal use and service (the "Warranty").
2. This Warranty is in effect for two years (Leisure Use) or one year (Commercial and other Non-leisure Use) from the date of purchase by the end user (for demonstration vessels, the dealer is deemed as end user).
3. This Warranty is transferable and covers the equipment for the specified warranty period.
4. The warranty does not apply to defects or damages caused by faulty installation or hook-up, abuse or misuse of the equipment including exposure to excessive heat, salt or fresh water spray, or water immersion except for equipment specifically designed as waterproof.
5. In case the equipment seems to be defective, the warranty holder (the "Claimant") must do the following to make a claim:
 - (a) Contact the dealer or service centre where the equipment was purchased and make the claim. Alternatively, the Claimant can make the claim to a dealer or service centre found at www.sleipnergrouper.com. The Claimant must present a detailed written statement of the nature and circumstances of the defect, to the best of the Claimant's knowledge, including product identification and serial nbr., the date and place of purchase and the name and address of the installer. Proof of purchase date should be included with the claim, to verify that the warranty period has not expired;
 - (b) Make the equipment available for troubleshooting and repair, with direct and workable access, including dismantling of furnishings or similar, if any, either at the premises of the Warrantor or an authorised service representative approved by the Warrantor. Equipment can only be returned to the Warrantor or an authorised service representative for repair following a pre-approval by the Warrantor's Help Desk and if so, with the Return Authorisation Number visible postage/shipping prepaid and at the expense of the Claimant.
6. Examination and handling of the warranty claim:
 - (a) If upon the Warrantor's or authorised service Representative's examination, the defect is determined to result from defective material or workmanship in the warranty period, the equipment will be repaired or replaced at the Warrantor's option without charge, and returned to the Purchaser at the Warrantor's expense. If, on the other hand, the claim is determined to result from circumstances such as described in section 4 above or a result of wear and tear exceeding that for which the equipment is intended (e.g. commercial use of equipment intended for leisure use), the costs for the troubleshooting and repair shall be borne by the Claimant;
 - (b) No refund of the purchase price will be granted to the Claimant, unless the Warrantor is unable to remedy the defect after having a reasonable number of opportunities to do so. In the event that attempts to remedy the defect have failed, the Claimant may claim a refund of the purchase price, provided that the Claimant submits a statement in writing from a professional boating equipment supplier that the installation instructions of the Installation and Operation Manual have been complied with and that the defect remains.
7. Warranty service shall be performed only by the Warrantor, or an authorised service representative, and any attempt to remedy the defect by anyone else shall render this warranty void.
8. No other warranty is given beyond those described above, implied or otherwise, including any implied warranty of merchantability, fitness for a particular purpose other than the purpose for which the equipment is intended, and any other obligations on the part of the Warrantor or its employees and representatives.
9. There shall be no responsibility or liability whatsoever on the part of the Warrantor or its employees and representatives based on this Warranty for injury to any person or persons, or damage to property, loss of income or profit, or any other incidental, consequential or resulting damage or cost claimed to have been incurred through the use or sale of the equipment, including any possible failure or malfunction of the equipment or damages arising from collision with other vessels or objects.
10. This warranty gives you specific legal rights, and you may also have other rights which vary from country to country.

At Sleipner we continually reinvest to develop and offer the latest technology in marine advancements. To see the many unique designs we have patented visit our website www.sleipnergrouper.com/patents

Dotted lines for writing notes.

Dotted lines for note-taking.

Dotted lines for notes.

© Copyright Sleipner Motor AS, 2021

The information given in the document was correct at the time it was published.

However, Sleipner Motor AS can not accept liability for any inaccuracies or omissions it may contain. Continuous product improvement may change the product specifications without notice.

Therefore, Sleipner Motor AS can not accept liability for any possible differences between product and document.

Register your product and learn more at www.sleipnergroun.com



SLEIPNER AS

P.O. Box 519

N-1612 Fredrikstad

Norway

www.sleipnergroun.com

Made in Norway

