

30 GB

GB SERIES | Air Heater

 wallas®



The Greenboost burner burns renewable fossil-free diesel cleanly and energy-efficiently, as well as fossil based diesel fuels.

Two inlets and outlets allow greater installation flexibility and drying performance.

Fully enclosed laminar burning process ensures a quiet sound level and wind resistant burn.



Variable output eliminates system cycling and reduces noise, keeping you comfortable.

Brushless blower motors have a very long life-cycle, supporting reliably long service intervals.

Drawing fuel directly from the main tank of the vessel saves space and eliminates the need for a separate tank.



Enjoy a smooth temperature in cabin.

Ensure everyone's safety with a heater that has low temperature on unit and exhaust pipe.

Have better comfort control with an easy-to-use thermostatic control panel.

SPECIFICATIONS

Fuel:	Diesel
Power:	1500-3000 W (5,100-10,200 BTU)
Operating voltage:	12 V
Fuel consumption:	0,15-0,3 l/h (5.2-10.5 oz/hr)
Electricity consumption:	0.8-1.75 A
Air volume at min heat:	61 m ³ /h (36 cfm)
Air volume at max heat:	103 m ³ /h (61 cfm)

RECOMMENDED BUILDS

Boats:	7-9 m (22-29 ft)
Camper Vans: (retrofitted)	MB Sprinter
Trailers:	4-8 m (13-26 ft)

MATERIALS

Stainless steel, high-grade aluminum, other corrosion-resistant materials

PI THERMO CONTROL PANEL

Use heater in PI Thermo Mode to hold a target room temperature

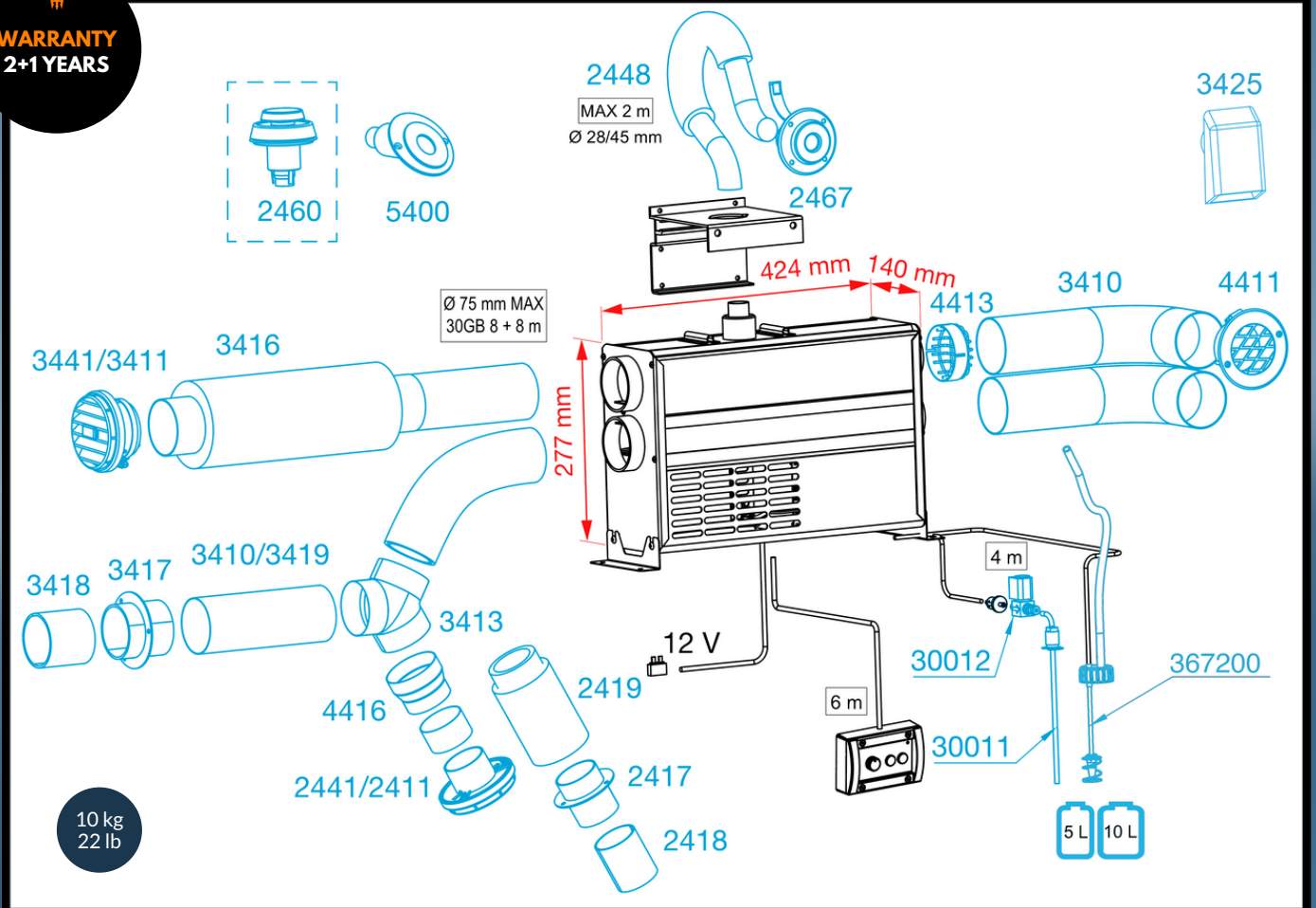
Switch to Manual Mode and control heating power with knob with a simple rheostat

Blow fresh air without heating in Ventilation Mode

Increase the air volume quickly with Air Boost when defrosting or drying is needed



WARRANTY
2+1 YEARS



Accessories in black come with the standard package. Accessories in blue are additional. The calculated values are measured in a reference measurement wall, which is constructed to respond to a typical boat installation. The technical values have been measured with the maximum length of ducting, exhaust pipe, fuel line, and power cord. The figures allow for 10% reserve - yours may vary.

All rights reserved. Wallas-Marin reserves the right to change or improve its products and to make changes in the content of this product material without obligation to notify any person or organization of such changes or improvements. Go to www.wallas.com for current updates and supplemental information concerning this product.

