

# VIKING COMBI

 wallas®

VIKING SERIES | Air and Water Heater



**WALLAS REMOTE APP  
IS AN EASY TO USE  
ALTERNATIVE HEATER  
CONTROL**



The Greenboost burner burns renewable fossil-free diesel cleanly and energy-efficiently, as well as fossil based diesel fuels.

Fully enclosed laminar burning process ensures a quiet sound level and wind resistant burn.

Paired with a small solar panel, Combi is an excellent choice for longer boating trips.



Variable output eliminates system cycling and reduces noise, keeping you comfortable.

Brushless blower motors have a very long life-cycle, supporting reliably long service intervals.

Drawing fuel directly from the main tank of the vessel saves space and eliminates the need for a separate tank.



Use two-in-one heater to warm up air and water simultaneously.

Adjust air temperature from anywhere on board with your Wallas phone app to keep your crew happy.

Wireless sensor monitors cabin temperature with improved accuracy and flexibility.

## SPECIFICATIONS

Fuel:	Diesel
Power:	950-2500 W (3,200-10,000 BTU)
Operating voltage:	12 V
Fuel consumption:	0,10-0,25 l/h (3.3-8.5 oz/hr)
Electricity consumption:	0.4-2.6 A
Air volume at min heat:	33 m <sup>3</sup> /h (19 cfm)
Air volume at max heat:	73 m <sup>3</sup> /h (43 cfm)
Power distribution:	Air 50-90% / Water 10-40 %
Recommended boiler size:	25 L (6.6 gal.)

## RECOMMENDED BUILDS

Boats:	5-9 m (16-29 ft)
Camper Vans: (retrofitted)	MB Sprinter
Trailers:	4-8 m (13-26 ft)

## MATERIALS

Stainless steel, high-grade aluminum, other corrosion-resistant materials

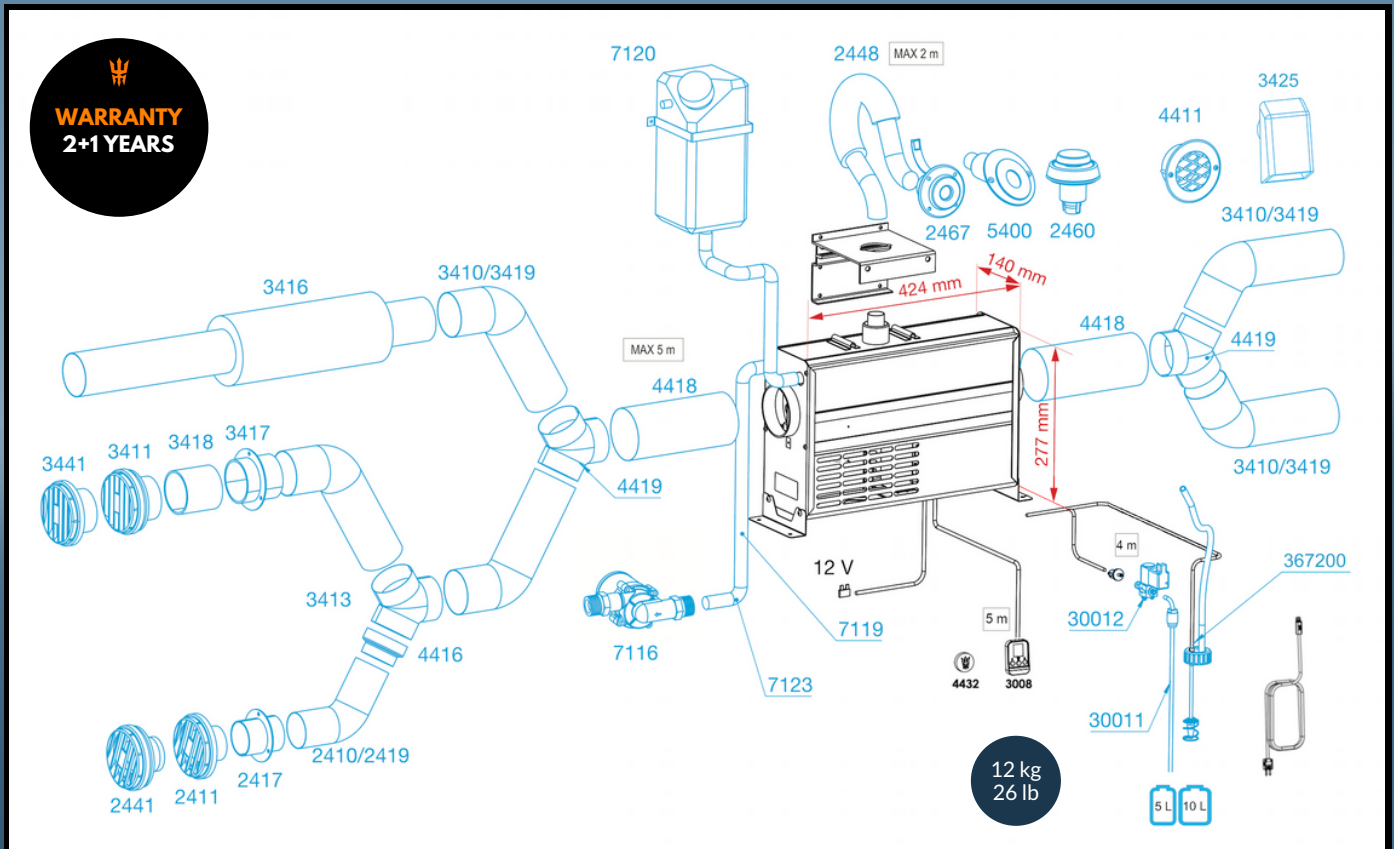
## ADVANCED CONTROL PANEL

Use heater in Thermostatic Mode to hold a target room temperature

Maximize the air volume with Air Boost for quick defrosting or drying without changing the temperature

Blow fresh air with Ventilation Mode when heating is not needed

Wireless sensor sends more accurate temperature data to the control panel to maintain an ambient smooth temperature



Accessories in black come with the standard package. Accessories in blue are additional. The calculated values are measured in a reference measurement wall, which is constructed to respond to a typical boat installation. The technical values have been measured with the maximum length of ducting, exhaust pipe, fuel line, and power cord. The figures allow for 10% reserve - yours may vary.

All rights reserved. Wallas-Marin reserves the right to change or improve its products and to make changes in the content of this product material without obligation to notify any person or organization of such changes or improvements. Go to [www.wallas.com](http://www.wallas.com) for current updates and supplemental information concerning this product.

